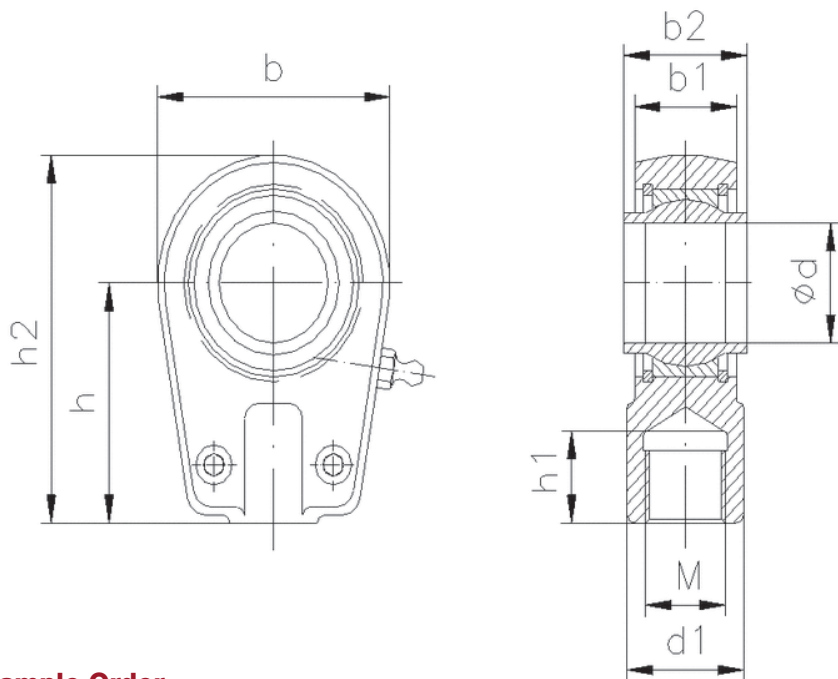


Joint Head Mounting for Standard Series

Series: B



Sample Order

The joint heads listed above can be used for all Strautmann standard series. The type designation (e.g. B-30) is indicated in the order key for the hydraulic cylinder.

Typ	Ø d	h	h ₁	h ₂	b	b ₁	b ₂	d ₁	M
B-20	20	50	17	78	56	19	24	25	<i>M16x1,5</i>
B-25	25	50	17	78	56	23	29	25	<i>M16x1,5</i>
B-30	30	60	23	92	64	28	30	34	<i>M22x1,5</i>
B-35	35	70	29	109	78	30	35	40	<i>M28x1,5</i>
B-40	40	85	36	132	94	35	38	49	<i>M35x1,5</i>
B-50	50	105	46	163	116	40	43	61	<i>M45x1,5</i>
B-60	60	130	59	200	130	50	54	75	<i>M58x1,5</i>
B-70	70	150	66	232	154	55	65	86	<i>M65x1,5</i>
B-80	80	170	81	265	176	60	74	102	<i>M80x2</i>