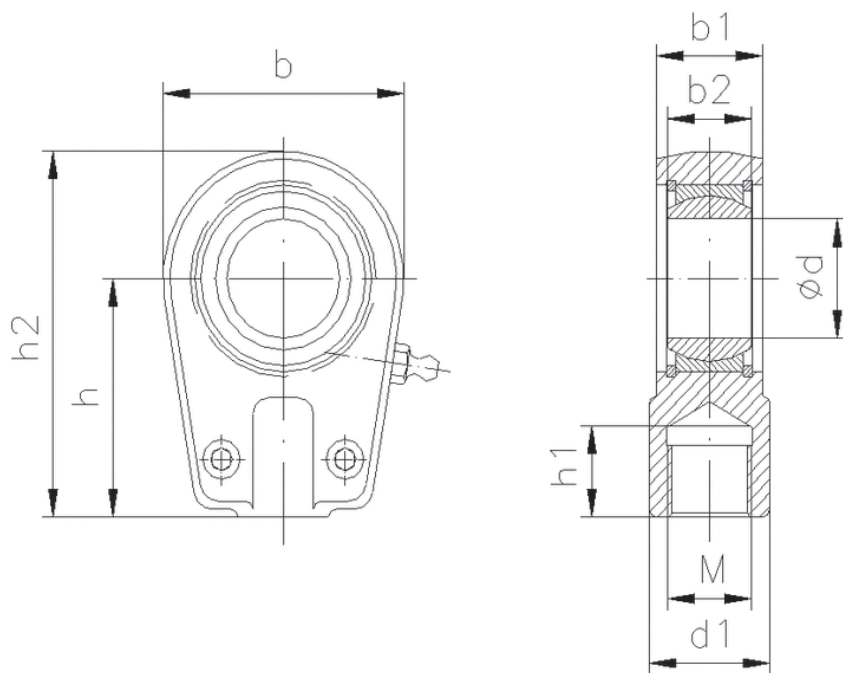


Joint Head mounting for Standard series

Series: A



Sample Order:

The joint heads listed above can be used for all Strautmann standard series. The type designation (e.g. A-30) is indicated in the order key for the hydraulic cylinder.

Typ	Ø d	h	h ₁	h ₂	b	b ₁	b ₂	d ₁	M
A-15	15	47	15	69	40	15	12	22	M14x1,5
A-20	20	50	17	78	56	19	16	25	M16x1,5
A-25	25	50	17	78	56	23	20	25	M16x1,5
A-30	30	60	23	92	64	28	22	34	M22x1,5
A-35	35	70	29	109	78	30	25	40	M28x1,5
A-40	40	85	36	132	94	35	28	49	M35x1,5
A-50	50	105	46	163	116	40	35	61	M45x1,5
A-60	60	130	59	200	130	50	44	75	M58x1,5
A-70	70	150	66	232	154	55	49	86	M65x1,5
A-80	80	170	81	265	176	60	55	102	M80x2