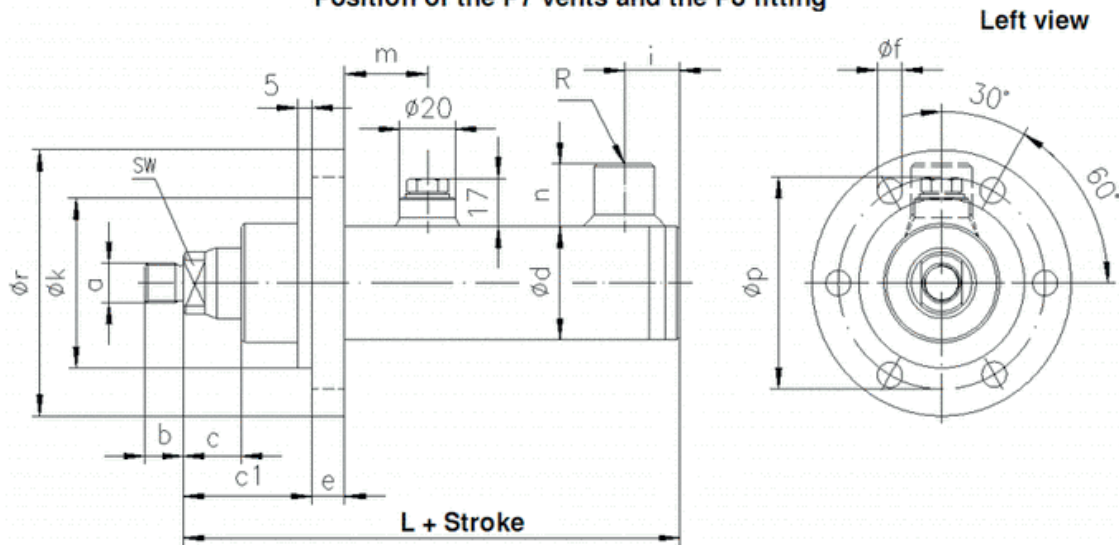


Single-Action Hydraulic Cylinder 250 bar

Series: HZE5 // Model: F

Single-Action Hydraulic Cylinders - 250 bar **Series: HZE5 Model: F**
 Position of the P7 vents and the P8 fitting



Rod \varnothing	L	e	c	n	$\varnothing d$	m	i	$\varnothing k_{e8}$	$\varnothing r$	$\varnothing p$	$\varnothing f$	c1	SW	a	b	R
50	136	18	25	22	72	19	35	85	124	105	11	60	41	M22x1.5	22	R 1/2"
60	170	25	25	22	85	25	40	105	153	130	13	65	50	M28x1.5	28	R 1/2"
70	170	25	25	22	95	25	40	105	153	130	13	65	60	M28x1.5	28	R 1/2"
80	170	30	30	22	110	18	45	135	198	170	17	70	65	M35x1.5	35	R 1/2"
90	200	30	31	22	120	24	45	135	198	170	17	90	75	M35x1.5	35	R 1/2"
100	220	35	35	22	145	33	55	160	238	200	22	85	75	M45x1.5	45	R 3/4"
110	220	35	35	22	145	33	55	160	238	200	22	85	75	M45x1.5	45	R 3/4"
120	225	40	35	22	170	27	65	190	268	230	22	85	75	M58x1.5	58	R 3/4"
130	295	40	35	22	180	28	65	200	278	240	22	85	75	M58x1.5	58	R 3/4"
140	295	43	35	22	195	25	90	215	298	255	26	85	75	M65x1.5	65	R 3/4"
150	295	45	35	22	200	23	90	225	308	265	26	85	75	M65x1.5	65	R 3/4"