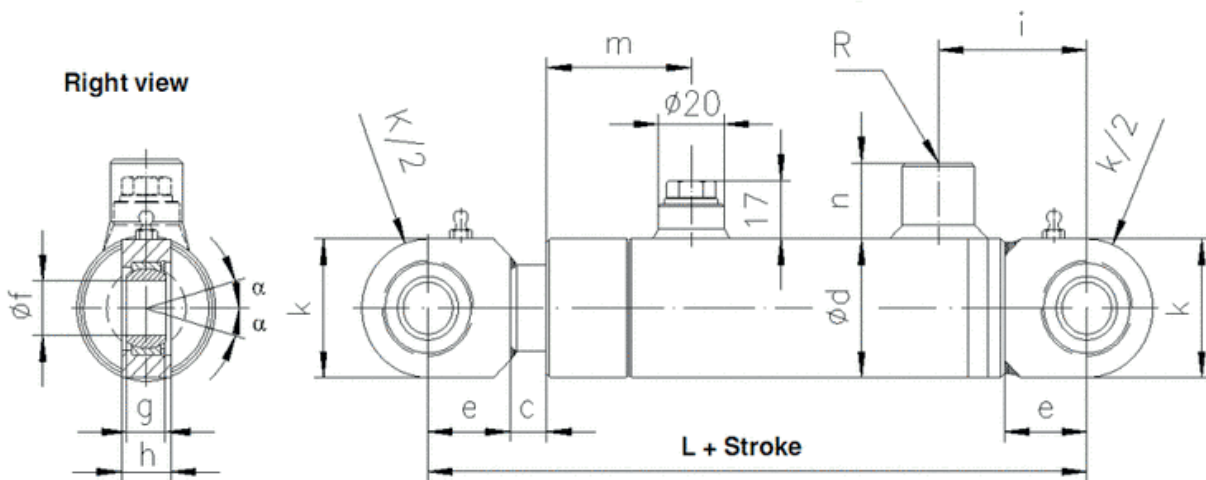


Single-Action Hydraulic Cylinder 250 bar

Series: HZE5 // Model: H

Single-Action Hydraulic Cylinders - 250 bar **Series: HZE5 Model: H**
 Position of the P7 vents and the P8 fitting



Rod Ø	L	e	c	k	m	g	h	Øf	n	Ød	i	α deg.	R
50	214	39	25	78	72	22	28	30	22	72	62	6	R 1/2"
60	260	45	25	90	90	25	32	35	22	85	75	6	R 1/2"
70	260	45	25	90	90	25	32	35	22	95	75	6	R 1/2"
80	270	50	30	100	88	28	35	40	22	110	80	7	R 1/2"
90	300	50	31	100	113	28	35	40	22	120	80	7	R 1/2"
100	340	60	35	116	118	35	40	50	22	145	94	6	R 3/4"
110	340	60	35	116	118	35	40	50	22	145	94	6	R 3/4"
120	375	75	35	150	117	44	50	60	22	170	115	6	R 3/4"
130	445	75	35	150	118	44	50	60	22	180	123	6	R 3/4"
140	455	80	35	165	118	49	55	70	22	195	128	6	R 3/4"
150	455	80	35	165	118	49	55	70	22	200	128	6	R 3/4"