

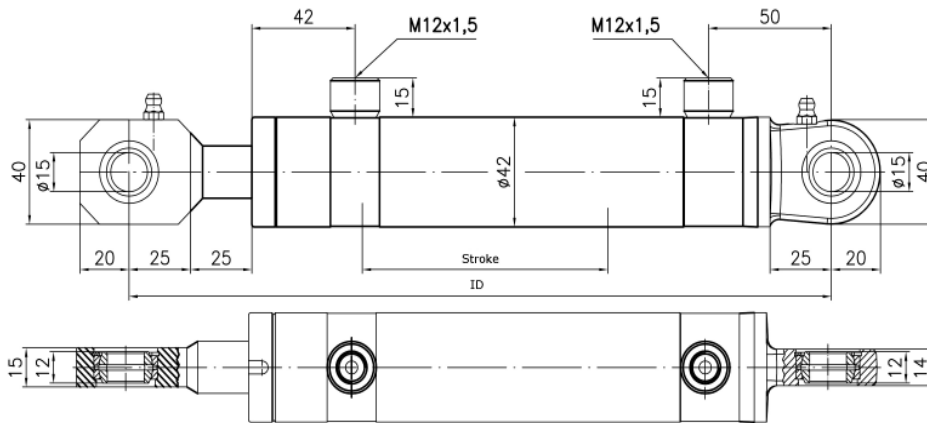


Strautmann
Hydraulik



Stock Program

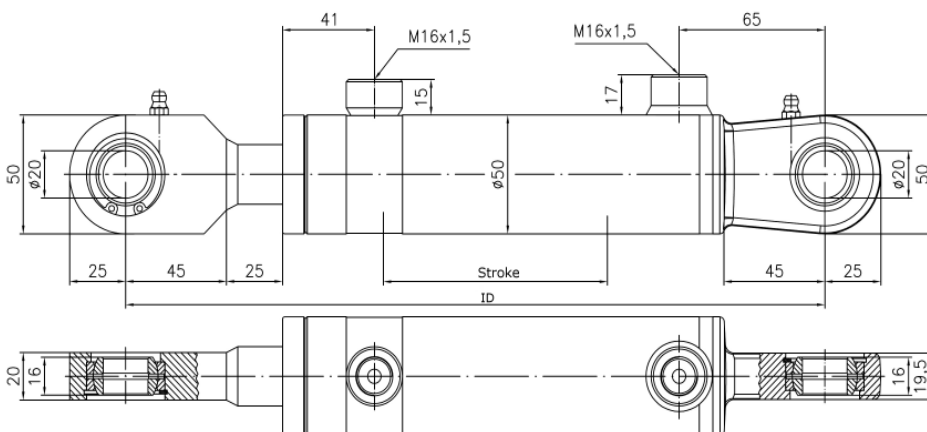
Double-Acting Cylinder 30 / 20 / ... Stroke



Cylinder Order number	Installation dimension ID in mm	Seal kit	bar	Compressive Force	Traktive Force
D2-32/20/ 50 Stroke	236	93 000 112	100	0,80 t	0,49 t
D2-32/20/100 Stroke	286		150	1,20 t	0,74 t
D2-32/20/150 Stroke	336		200	1,60 t	0,98 t
D2-32/20/200 Stroke	386				
D2-32/20/300 Stroke	486				

always available

Double-Acting Cylinder 40 / 25 / ... Stroke

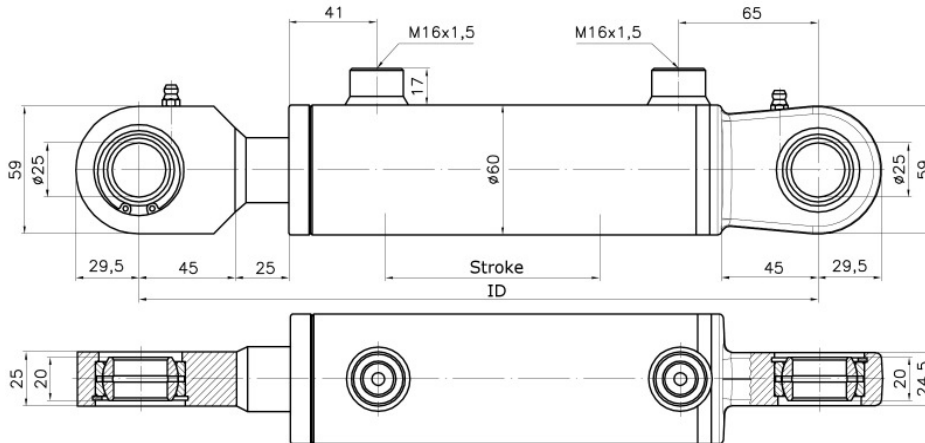


Cylinder Order number	Installation dimension ID in mm	Seal kit	bar	Compressive Force	Traktive Force
D2-40/25/100 Stroke	312	93 000 009	100	1,25 t	0,76 t
D2-40/25/200 Stroke	412		150	1,80 t	1,14 t
D2-40/25/300 Stroke	512		200	2,50 t	1,52 t
D2-40/25/400 Stroke	612				
D2-40/25/500 Stroke	712				
D2/40/25/600 Stroke	812				

Versatile application!

All dimensions in mm. Technical changes reserved.

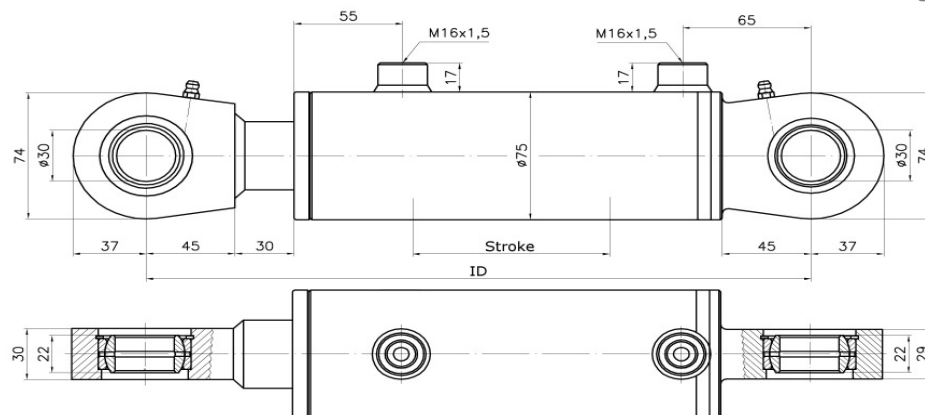
Double-Acting Cylinder 50 / 30 / ... Stroke



Cylinder Order number	Installation dimension ID in mm	Seal kit	bar	Compressive Force	Traktive Force
D2-50/30/100 Stroke	317	93 000 068	100	1,96 t	1,25 t
D2-50/30/200 Stroke	417		150	2,94 t	1,87 t
D2-50/30/300 Stroke	517		200	3,92 t	2,50 t
D2-50/30/400 Stroke	617				
D2-50/30/500 Stroke	717				
D2-50/30/600 Stroke	817				

Double-Acting Cylinder 63 / 40 / ... Stroke

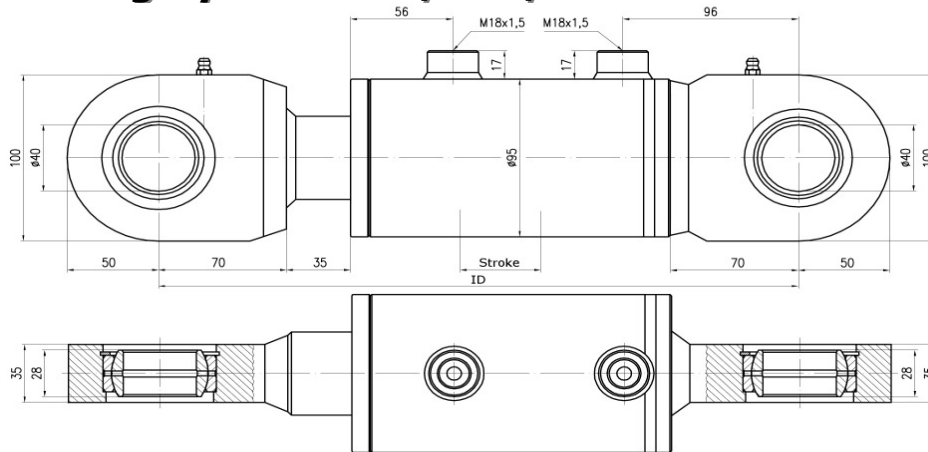
always available



Cylinder Order number	Installation dimension ID in mm	Seal kit	bar	Compressive Force	Traktive Force
D2-63/40/ 100 Stroke	337	93 000 045	100	3,10 t	1,85 t
D2-63/40/ 200 Stroke	437		150	4,60 t	2,80 t
D2-63/40/ 300 Stroke	537		200	6,20 t	3,70 t
D2-63/40/ 400 Stroke	637				
D2-63/40/ 500 Stroke	737				
D2-63/40/ 600 Stroke	837				
D2-63/40/ 700 Stroke	937				
D2-63/40/ 800 Stroke	1037				
D2-63/40/ 900 Stroke	1137				
D2-63/40/ 1000 Stroke	1237				

All dimensions in mm. Technical changes reserved.

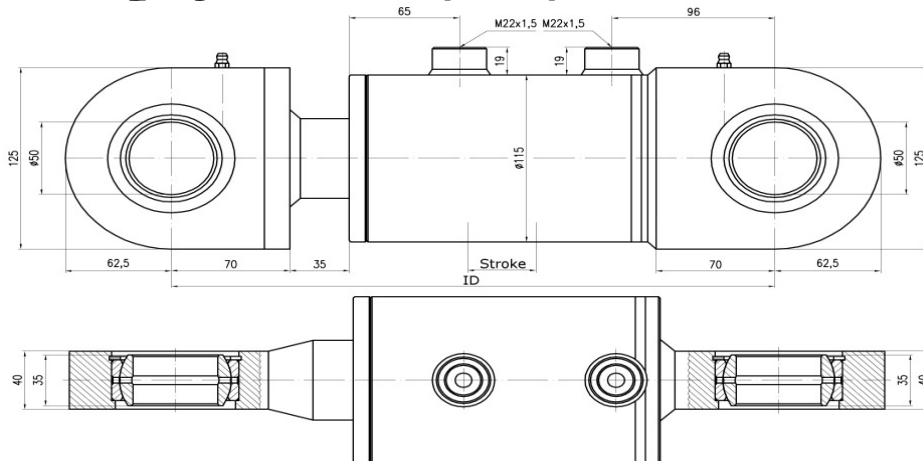
Double-Acting Cylinder 80 / 50 / ... Stroke



Cylinder Order number	Installation dimension ID in mm	Seal kit	bar	Compressive Force	Traktive Force
D2-80/50/ 200 Stroke	506	93 000 071	100	5,00 t	3,00 t
D2-80/50/ 300 Stroke	606		150	7,50 t	4,50 t
D2-80/50/ 400 Stroke	706		200	10,00 t	6,00 t
D2-80/50/ 500 Stroke	806				
D2-80/50/ 600 Stroke	906				
D2-80/50/ 800 Stroke	1106				
D2-80/50/1000 Stroke	1306				

always available

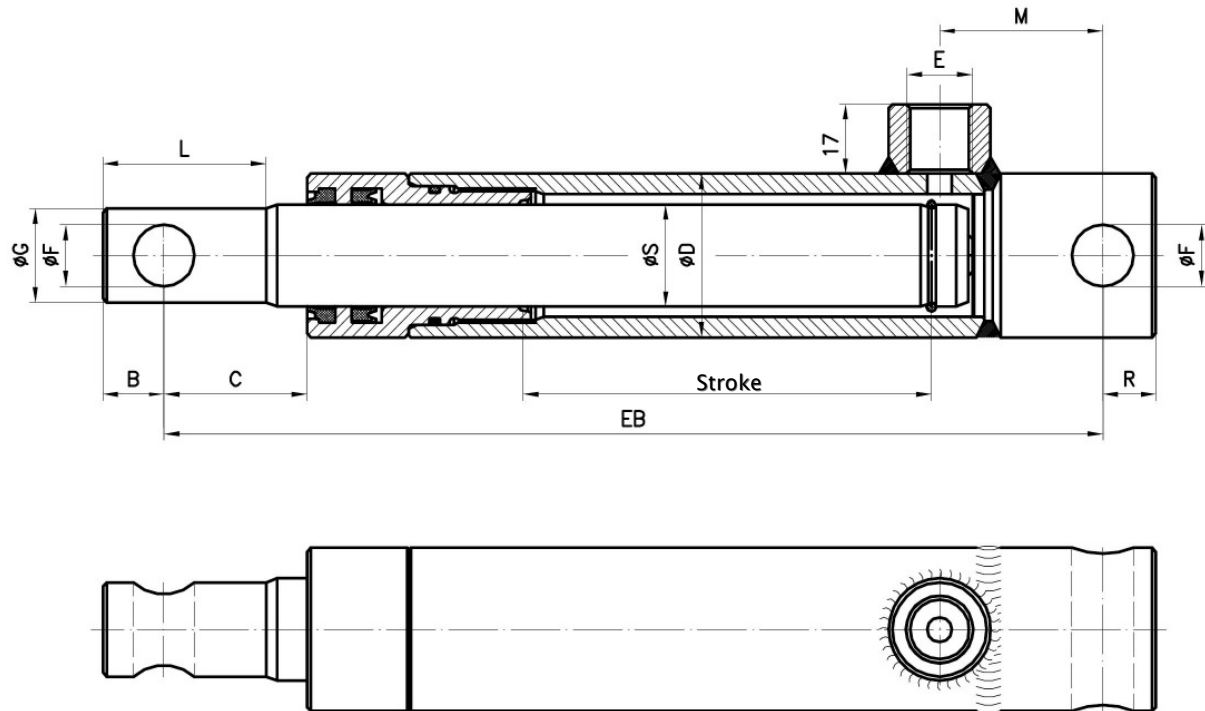
Double-Acting Cylinder 100 / 55 / ... Stroke



Cylinder Order number	Installation dimension ID in mm	Seal kit	bar	Compressive Force	Traktive Force
D2-100/55/200 Stroke	516	93 000 076	100	7,80 t	5,45 t
D2-100/55/400 Stroke	716		150	11,70 t	8,20 t
D2-100/55/600 Stroke	916		200	15,60 t	10,90 t
D2-100/55/800 Stroke	1116				

All dimensions in mm. Technical changes reserved.

Single-Acting Hydraulic Cylinder 210 bar HZE6

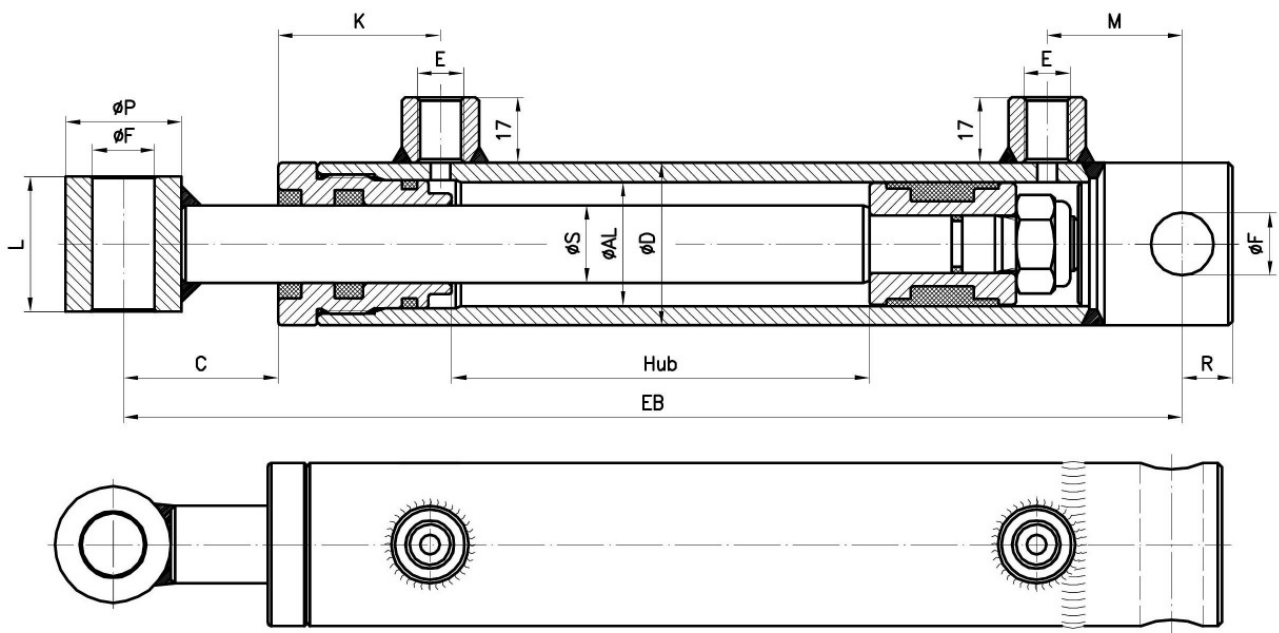


always available

ØS	Stroke	EB	ØD	C	E	M	ØG	L	ØF	B	R	Kg.	Order Number
25	100	190	40	24	3/8"	40	22	35	14	14	14	1,63	30.00.1102.100
	200	290										2,44	30.00.1102.200
	300	390										3,26	30.00.1102.300
30	200	300	50	26	3/8"	42	27	37	16	16	15	3,61	30.00.1103.200
	300	400										4,72	30.00.1103.300
	400	500										5,82	30.00.1103.400
40	200	330	60	32	3/8"	47	37	49	23	21,5	22	6,00	30.00.1104.200
	300	430										7,67	30.00.1104.300
	400	530										9,32	30.00.1104.400
	550	680										11,70	30.00.1104.550
	700	830										14,10	30.00.1104.700
50	300	460	70	49	3/8"	50	47	65	26	25,25	26	11,80	30.00.1105.300
	400	560										14,00	30.00.1105.400
	550	710										17,50	30.00.1105.550
	700	860										21,00	30.00.1105.700
60	200	360	80	50	3/8"	62	57	70	31	30,5	26	12,3	30.00.1106.200
	300	460										15,3	30.00.1106.300
	400	560										18,4	30.00.1106.400
	550	710										23,2	30.00.1106.550
	700	860										27,9	30.00.1106.700

All dimensions in mm. Technical changes reserved.

Double-Acting Hydraulic Cylinder 210 bar HZD6



**always
available**

Ø AL	Ø S	Stroke	EB	Ø D	C	E	K	M	L	Ø P	Ø F	R	Kg.	Order Number
32	20	100	255	42	50	1/4"	22	35	35	30	16	17	2,10	35.00.1100.100
		200	355										2,80	35.00.1100.200
		300	455										3,50	35.00.1100.300
40	25	100	270	50	43	3/8"	40	45	40	40	20,5	19	3,23	35.00.1101.100
		200	370										4,16	35.00.1101.200
		300	470										5,12	35.00.1101.300
		400	570										6,05	35.00.1101.400
		500	670										6,99	35.00.1101.500
		600	770										7,95	35.00.1101.600
50	30	100	300	60	48	3/8"	43	58	45	50	25,5	25	5,11	35.00.1102.100
		200	400										6,33	35.00.1102.200
		300	500										7,60	35.00.1102.300
		400	600										8,83	35.00.1102.400
		500	700										10,05	35.00.1102.500
		600	800										11,27	35.00.1102.600
60	35	200	400	70	48	3/8"	49	50	45	50	25,5	25	8,00	35.00.1103.200
		300	500										9,55	35.00.1103.300
		400	600										11,10	35.00.1103.400
		500	700										12,65	35.00.1103.500
		600	800										14,20	35.00.1103.600
		700	900										15,75	35.00.1103.700
70	40	200	410	80	48	3/8"	50	58	55	50	30,5	25	10,45	35.00.1104.200
		300	510										12,31	35.00.1104.300
		400	610										14,22	35.00.1104.400
		500	710										16,11	35.00.1104.500
		600	810										18,12	35.00.1104.600
		700	910										19,94	35.00.1104.700
80	40	200	410	92	38	3/8"	59	58	55	50	30,5	25	13,26	35.00.1105.200
		300	510										15,54	35.00.1105.300
		400	610										18,00	35.00.1105.400
		500	710										20,00	35.00.1105.500
		600	810										22,00	35.00.1105.600

All dimensions in mm. Technical changes reserved.